

# SIMpull Cradle Safety and Inspection

## ***SAFETY FIRST***

---

Safety is essential in the use and maintenance of Southwire Contractor Equipment. This instruction manual and any markings on the tool provide information for avoiding hazards and unsafe practices related to the use of this tool. Observe all the safety information provided.

## ***SAFETY ALERT SYMBOLS***

---

**These symbols** are used to call attention to hazards or unsafe practices related that could result in injury or property damage. The three safety words defined below indicate the severity of the hazard. The message after the signal word provides information for preventing or avoiding the hazard.



**DANGER** - immediate hazards that if not avoided **WILL** result in severe injury or death



**WARNING** - Hazards that if not avoided **COULD** result in severe injury or death



**CAUTION** - Hazards or unsafe practices that, if not avoided **MAY** result in severe injury or death

## IMPORTANT SAFETY INFORMATION

### **WARNING**



- Read and understand all instructions and safety information in this manual before operating or servicing this tool.

**FAILURE TO OBSERVE THESE WARNINGS COULD RESULT IN SEVERE INJURY OR DEATH.**

### **WARNING:** Personal Safety Hazards



- Only qualified persons should use the SIMpull™ Cradle.
- Wear eye protection, hard hat, cut resistant gloves and safety toe shoes when using this tool.
- Do not use tool when tired or under the influence of drugs, alcohol, or medication.
- Keep body parts and loose clothing away from moving parts.
- Always follow safety procedures as shown in this manual.

**FAILURE TO OBSERVE THESE WARNINGS COULD RESULT IN SEVERE INJURY OR DEATH.**

### **DANGER:** Electrical Shock Hazards



- This is not an insulated tool, contact with live circuits will result in severe injury or death.

**FAILURE TO OBSERVE THESE WARNINGS WILL RESULT IN SEVERE INJURY OR DEATH.**

## IMPORTANT SAFETY INFORMATION

### **WARNING:** Entanglement Hazard



- Do not operate this tool while wearing loose fitting clothing. Retain long hair.
- Keep hands away from swinging and moving parts. Could pinch or crush hands.

**FAILURE TO OBSERVE THESE WARNINGS COULD RESULT IN SEVERE INJURY OR DEATH.**

### **WARNING:** Tipping

- Place SIMpull™ Cradle on level ground prior to loading SIMpull™ Reel into the SIMpull™ Cradle to help facilitate loading.

**FAILURE TO OBSERVE THESE CAUTIONS COULD RESULT IN INJURY OR PROPERTY DAMAGE.**

### **WARNING:** Tool Use Hazards

- Use this tool for the manufacturer's intended purpose only. Use other than that described in this manual could result in injury or property damage.
- Only qualified personnel should use this equipment.
- Keep all decals clean and legible, and replace when necessary.

**FAILURE TO OBSERVE THESE CAUTIONS COULD RESULT IN INJURY OR PROPERTY DAMAGE.**

### **CAUTION**

- Read and understand all the instructions and safety information in this manual before operating or servicing this tool.

**FAILURE TO OBSERVE THESE CAUTIONS COULD RESULT IN INJURY OR PROPERTY DAMAGE.**

## **IMPORTANT SAFETY INFORMATION**

---

### **⚠ CAUTION:**

- Do not use if any parts are damaged or missing as this can cause an unsafe condition and lead to tool malfunction or failure.
- If tool is in disrepair, **DO NOT USE**. Have tool serviced at an Authorized Southwire Repair Center.

**FAILURE TO OBSERVE THESE CAUTIONS MAY RESULT IN INJURY OR PROPERTY DAMAGE.**

## **INSPECTION**

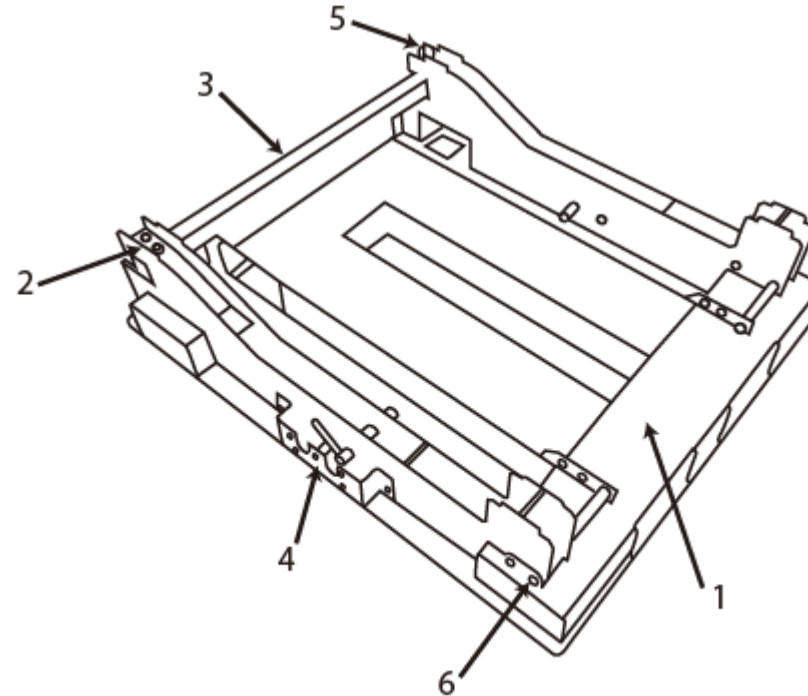
---

1. Inspect all welds to ensure weldment is in working order.
2. Inspect all pins to ensure they are in working order.
3. Inspect pin receivers to ensure the springs are intact and in working order.
4. If parts are broke or missing contact Southwire Tools and Equipment at 1.855.SW.tools or visit [www.southwiretools.com/tools/home.do](http://www.southwiretools.com/tools/home.do)

## **IDENTIFICATION**

---

1. Base Weldment
2. Fix Pin Weldment
3. Cross Bar Weldment
4. Reel Lock Pin
5. Cross Bar Lock Pin
6. 51" Reel Lock Pin



## SETUP AND OPERATION

1. Always wear gloves, eye protection and hard hat when working with SIMpull™ Cradle.
2. If loading a 51" SIMpull™ Reel, ensure the 51" pin (6) is installed into the 51" pin location prior to loading the reel onto cradle.
3. Pull pin (5) and swing cross bar weldment away to allow access for SIMpull™ Reel to roll onto cradle (Fig 1).
4. Push spring lock tabs to the side and pull Reel Lock Pins (4) on each side of cradle (Fig 2).
5. Ensure cradle loading path is free from debris to ensure SIMpull™ Reel rolls easily across the cradle.
6. Roll reel onto the cradle and position to the extreme back position, swing Cross Bar Weldment (3) back to starting point (Fig 3) and insert Cross Bar Lock Pin (5) to keep reel secured in place (Fig 4).
7. Slide Reel Lock Pin (4) towards the reel to lock into place (Fig 5). If rib on the reel obstructs the complete insertion of the Reel Lock Pin (4), remove Reel Lock Pin (4) and insert into other pinning location to the left or right. Pin retainers are spring loaded and will have to be pulled to the side to insert the Reel Locking Pin (4) (Fig 6).
8. SIMpull™ Cradle can be moved by pallet truck (Fig 7) or by forklift (Fig 8) using one of the two sets of fork pockets on the cradle.

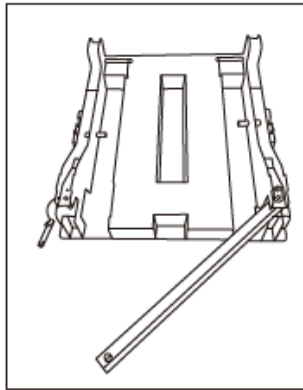


Fig 1

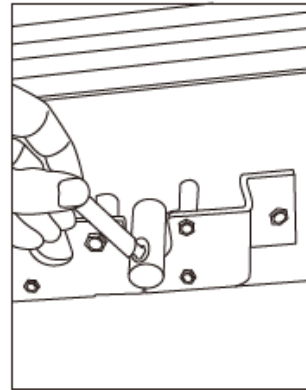


Fig 2

## SETUP AND OPERATION

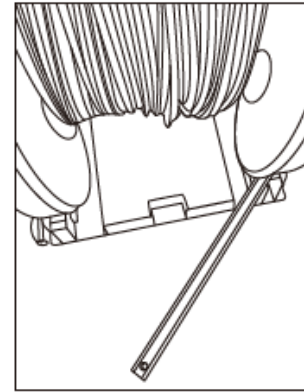


Fig 3

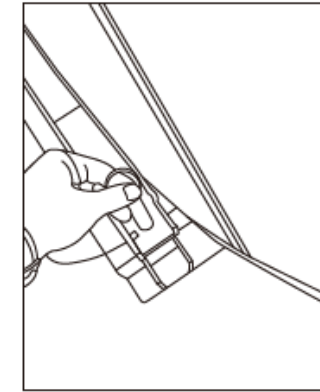


Fig 4

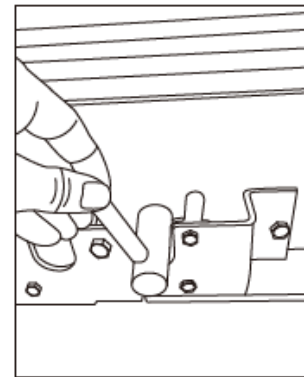


Fig 5

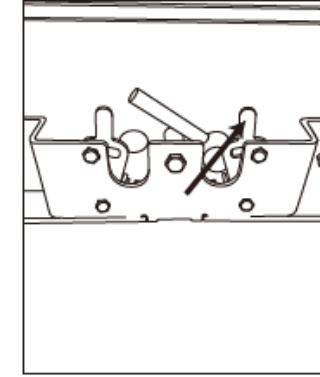


Fig 6

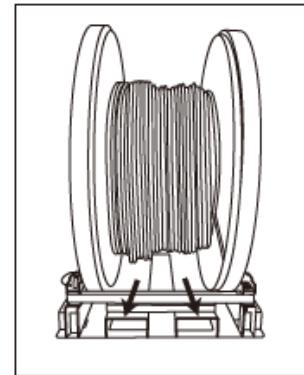


Fig 7

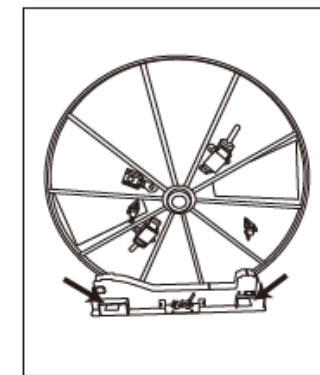


Fig 8

# SIMpull Reel Safety and Inspection

**CAUTION: Please READ and UNDERSTAND all of the instructions and safety information in this manual and observe safe-working practices before operating or servicing this tool.**



**BEFORE OPERATING, READ AND UNDERSTAND  
ALL OF THE INSTRUCTIONS AND SAFETY  
INFORMATION IN THIS MANUAL**



# ***SAFETY FIRST***


Safety is essential in the use and maintenance of SIMpull™ Reel payoff system. This instruction manual and any markings on the reel provide information for avoiding hazards and unsafe practices related to the use of this tool. Observe all of the safety information provided in this manual.


**FAILURE TO OBSERVE THESE WARNINGS CAN RESULT  
IN SEVERE INJURY OR DEATH**





Sticker is placed twice on the reel, avoiding areas that contain the chock brackets and the payoff tension adjustment handle.


# CAUTION!

**Yes, si, oui**  
  
**HANDLE WITH CARE**

**Yes, si, oui**  
  
**SHIP UPRIGHT**


**Yes, si, oui**  
  
**ALWAYS ENGAGE CHOCKS UNLESS REEL IS IN MOTION**

**No, non**  
  
**DO NOT LAY ON FLANGE**

**No, non**  
  
**USE ONLY ON LEVEL SURFACES**


This SIMpull Reel™ System is loaded and distributed by:

Place distributor label here  
Recommended size:  
3.5" x 5"



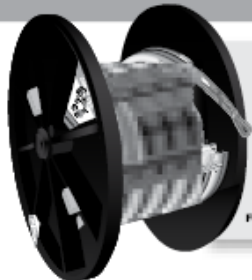
Scan for safety & instruction information and video  
1-888-NOLUBE-0 | [www.simsolutions.com/simpull-reel](http://www.simsolutions.com/simpull-reel)  
Form #: 05100

Sticker is placed twice on the reel, avoiding areas that contain the chock brackets and the payoff tension adjustment handle.

 Southwire®

# SIMpull™ Reel




Maneuverable Payoff System  
Patent Pending



**Simply:  
Roll. Stop.  
Chock. Payoff.**

FOR USE WITH SOUTHWIRE PRODUCTS ONLY.

### How to use the SIMpull™ Reel System:

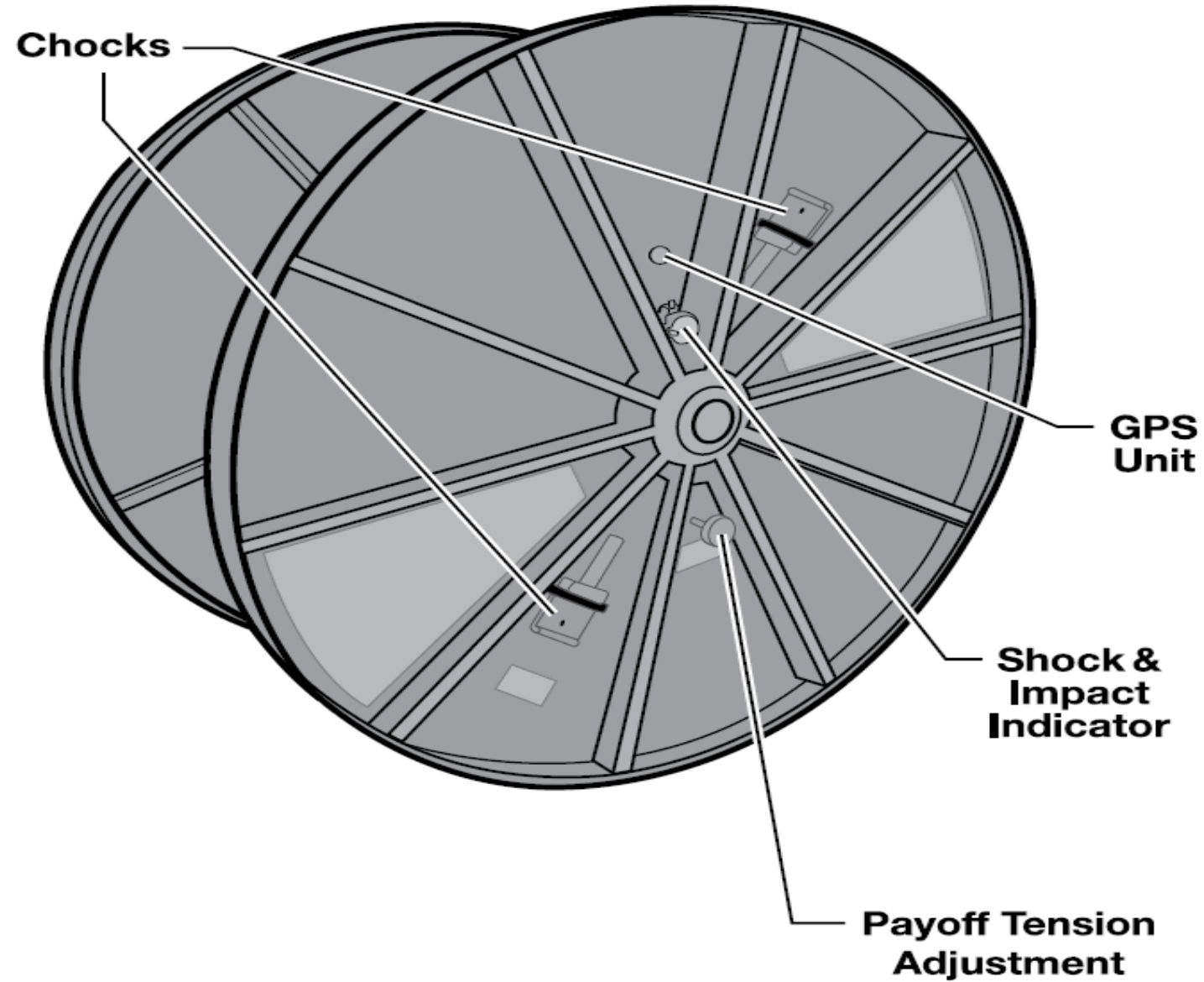
1. Unload on level surface.  
Apply chocks on reel.  

2. Roll to desired location and maneuver.  

3. Chock reel and payoff or store,  


ANY TAMPERING WITH OR ALTERATIONS TO THIS PAYOFF SYSTEM ARE STRICTLY PROHIBITED AND OFFENDING PARTIES WILL BE SUBJECT TO LEGAL ACTION.

Form #: 05100

# **SIMpull™ Reel**

## **SPECIFICATION(S)**



## **SIMpull™ Reel**

---

### ***INSPECTION***

## **Inspection Check List**

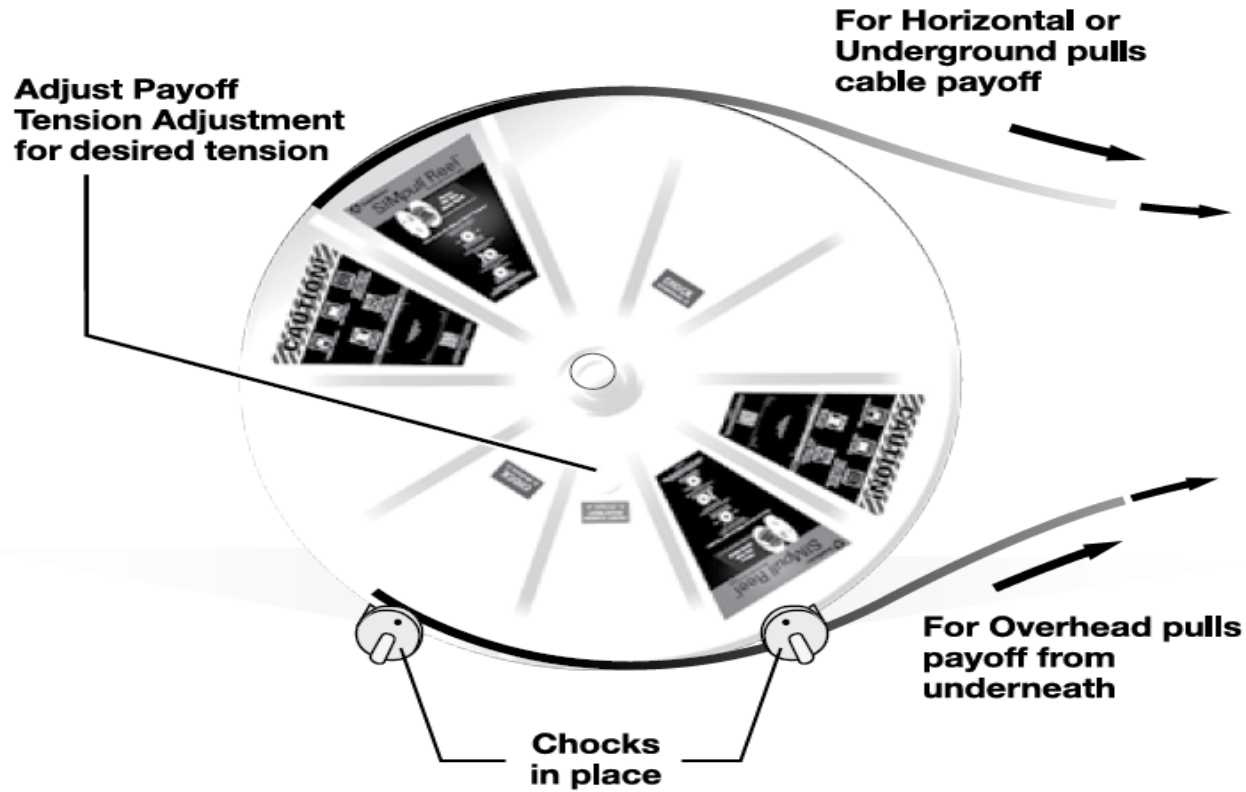
- **Make sure overall condition of payoff system is good and there is no visible damage that could possibly affect the Reels operation.**
- **Make sure all 4 chocks are attached to flanges where indicated.**
- **Make sure proper labeling (as indicated elsewhere in this manual) is on flanges.**
- **Check attached GPS for tampering (NOTE: Any tampering with or altercations to this payoff system are strictly prohibited.)**
- **Check the Shock and Impact Indicator (NOTE: If showing RED please contact your Southwire Distributor before accepting material or further using the material.)**

**NOTE:** Make sure appropriate equipment is available for unloading.



- **Unload on level surface using a forklift or other industrial lift device rated to lift the Reels weight.**
- **After being unloaded from the delivering vehicle, the SIMpull™ Reel payoff system can be rolled and/or maneuvered to desired location.**

## Chock Reel & Payoff Cable



**NOTE: PAYOFF TENSION ADJUSTMENT is not a lock,** it is intended to be used to adjust the Payoff speed by applying drag tension.

This will prevent the Reel from free-spinning and paying off additional slack wire.

**⚠ WARNING:** DO NOT stand in front of reel or between reel and other equipment during payoff.

- Always chock the SIMpull™ Reel payoff system (as shown in the illustration above using the included chocks when paying off cable and when the Reel is not in use, to prevent the Reel from rolling unintentionally).