



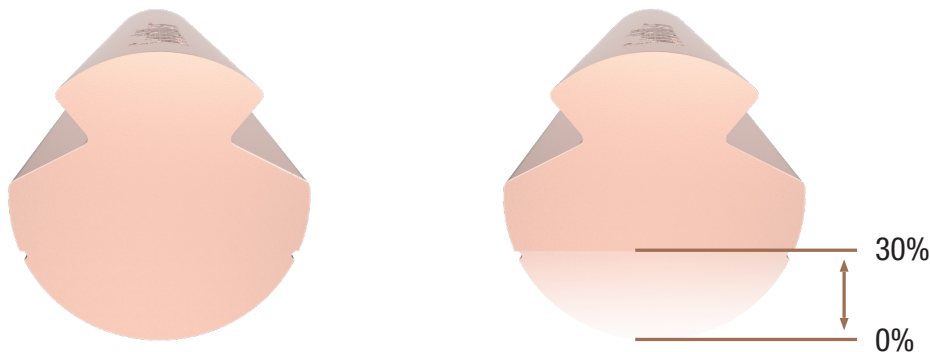
SouthWear® CONTACT WIRE

At Southwire, we recognize the critical nature of worn contact wire. SouthWear® contact wire represents the next generation of Southwire’s innovative contact wire line. With branding on the top lobe and a 30% wear indicator mark on each side of the wire linemen and field maintenance personnel can visually observe the worn condition of the SouthWear® contact wire without making physical contact. This low cost, simplified approach will help crews determine if the percentage of wear has met or exceeded the industry’s allowable safe tolerance of wear. At Southwire, our mission is to promote products with safety in mind as well as lowering operating costs which will promote the overall integrity of the mass transit systems our contact wire is supporting.

Why choose SouthWear® contact wire for your next installation?

- Available in common industry sizes to fit your installation needs for Trolley, Light Rail, Streetcar, Trolley Bus, and High-Speed Rail systems.
- SouthWear® contact wire eliminates the need to physically make contact with the contact wire using calipers, gauges, or other expensive measuring devices to determine percentage of wear, instead allowing maintenance teams to make assessments near the wire or perhaps from the ground using binoculars or cameras.
- Low cost, simplified assessment, and quick visual approach promotes maintenance safety and cost efficiency.

Wear Progression



To learn more about SouthWear® contact wire, please contact Transit@Southwire.com or visit Southwire.com

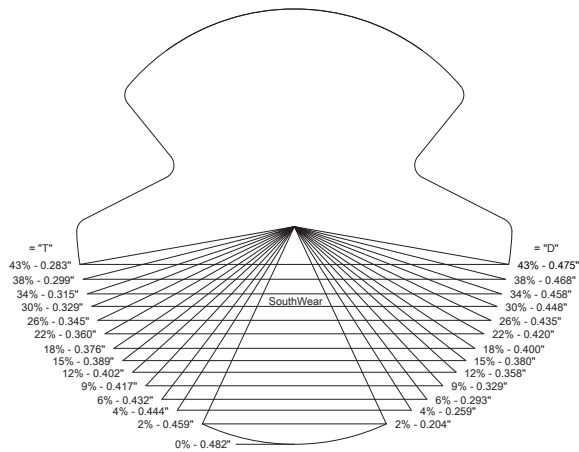


SouthWear® CONTACT WIRE

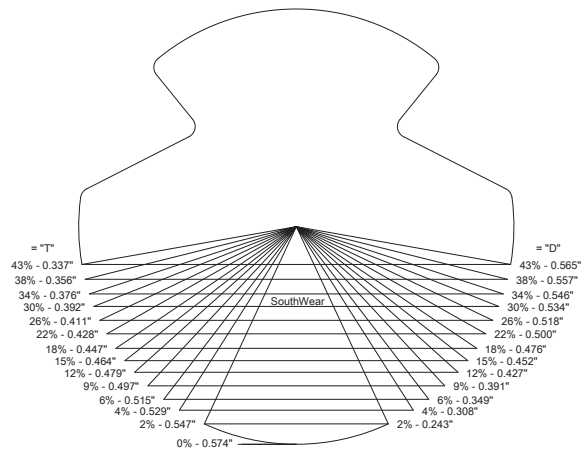
Simple solutions, practical safety.

The below renderings depict some of our available configurations and the wear pattern for each.

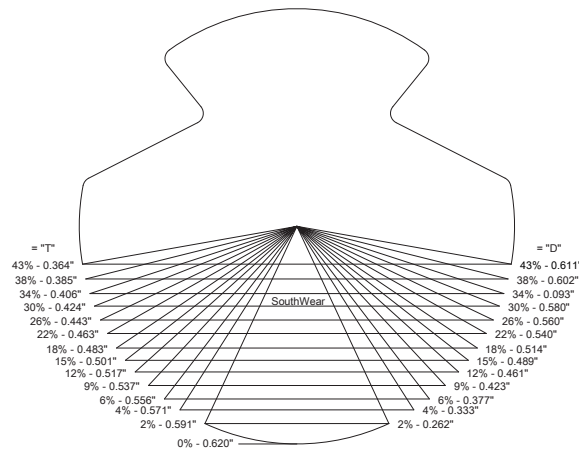
4/0 MCM Contact Wire



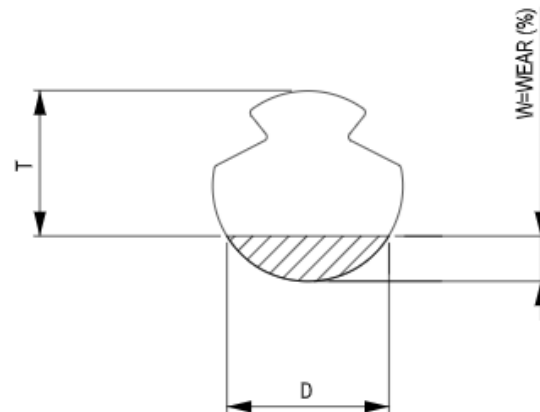
300 MCM Contact Wire



350 MCM Contact Wire



While SouthWear® contact wire allows for visual wear assessments, the chart can also be used to measure wear on the contact wire you may already have.



To learn more about SouthWear® contact wire, please contact Transit@Southwire.com or visit Southwire.com

